

■ SPECIFICATIONS

- Current Rating : 3A AC/DC
- Voltage Rating : 250V AC/DC
- Withstanding Voltage : 1,000V AC/minute
- Insulation Resistance : 1,000MΩ min.
- Temperature Range : - 25°C to + 85°C
- Contact Resistance : 20mΩ max.

■ HOUSING

- Part No. : GJS-11083-XX

①

①Poles : 01~40

- Material : PPO UL94V-0,Black
- Mating Wafer : GJS-1109X-XX & GJS-1110X-XX
- Mating Terminal : GJS-1105X-XXTPXX

Poles	Dimensions(mm)		Poles	Dimensions(mm)	
	A	B		A	B
01	—	2.54	21	50.80	53.34
02	2.54	5.08	22	53.34	55.88
03	5.08	7.62	23	55.88	58.42
04	7.62	10.16	24	58.42	60.96
05	10.16	12.70	25	60.96	63.50
06	12.70	15.24	26	63.50	66.04
07	15.24	17.98	27	66.04	68.58
08	17.78	20.32	28	68.58	71.12
09	20.32	22.86	29	71.12	73.66
10	22.86	25.40	30	73.66	76.20
11	25.40	27.94	31	76.20	78.74
12	27.94	30.48	32	78.74	81.28
13	30.48	33.02	33	81.28	83.82
14	33.02	35.56	34	83.82	86.36
15	35.56	38.10	35	86.36	88.90
16	38.10	40.64	36	88.90	91.44
17	40.64	43.18	37	91.44	93.98
18	43.18	45.72	38	93.98	96.52
19	45.72	48.26	39	96.52	99.06
20	48.26	50.80	40	99.06	101.60

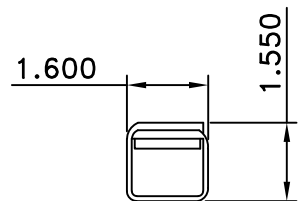
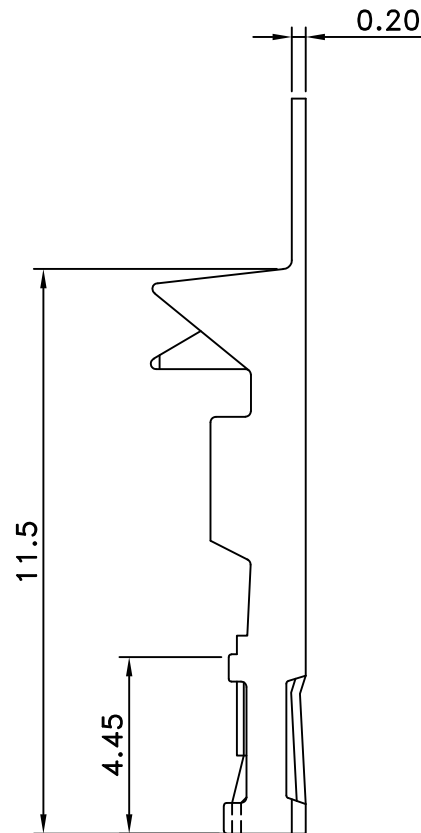
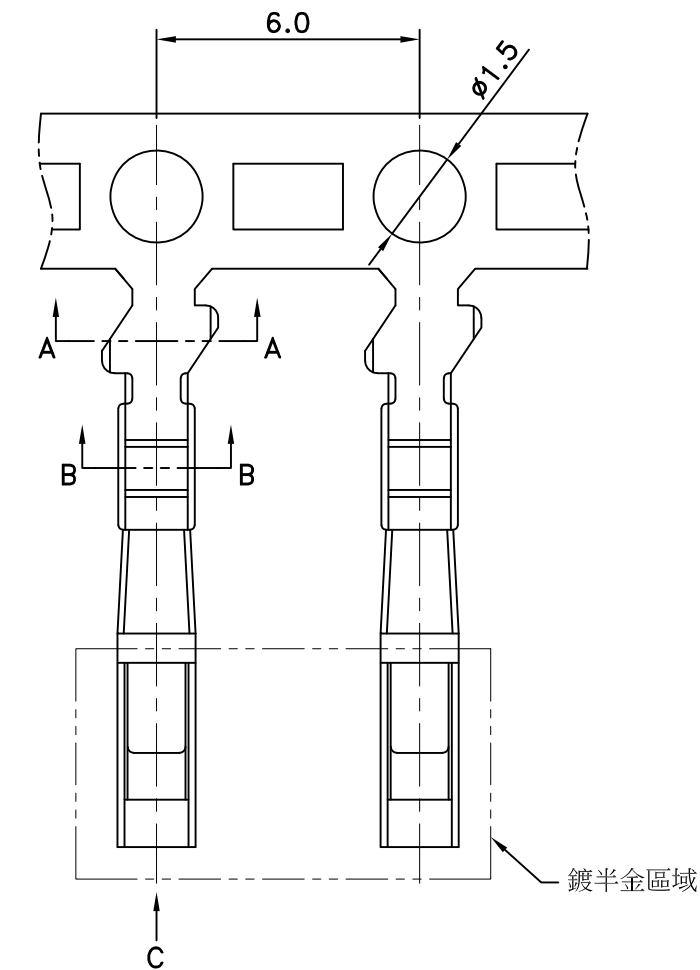


东莞乔唯电子有限公司
DONGGUAN CHYAO WEI
ELECTRONIC CO., LTD

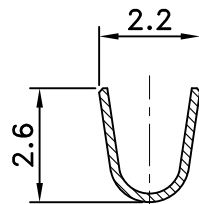
APPROVED BY	SCALE	UNIT	TOLERANCE	LTR	REVISION RECORD	NAME	DATE	LTR	REVISION RECORD	NAME	DATE
張育瑞		mm	.0 ±0.30	△				△			
CHECKED BY	PROJ	VER NO.	.00 ±0.20	△				△			
劉娜	⊕ □	α0	.000 ±0.10	△				△			
DRAWN BY	DATE	SIZE	ANGLE	△							
曾慶根	2020/11/16	A4	0° ±1°	△							
			.0° ±	△							
			SHEET 1/1	△							

CUSTOMER
Conforms to The RoHS Instruction

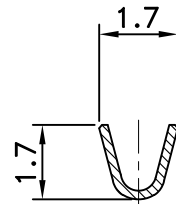
PART NO GJS-11083-XX
2.54mm Center Mini Latch Housing



View C



SECTION A-A



SECTION B-B

■ SPECIFICATIONS

- Voltage Rating :250 V AC/DC
- Current Rating : 3A AC/DC
- Withstanding Voltage : 1000V AC/minute
- Insulation Resistance : 1000M Ω min
- Temperature Range : - 25 $^{\circ}$ C to + 85 $^{\circ}$ C
- Contact Resistance : 20m Ω max

■ TERMINAL

- Part No. : GJS-11051-XXTP XX
① ②

① Material :

- TP : Brass(常规品)
- PBTP : Phosphor Bronze

② Plated :

- Blank : Tin-Plated (先冲后镀)
- SG : Gold Flash (镀半金, 先冲后镀)

- Applicable Wires : AWG# 22-28
- Thickness : 0.2mm
- Q' ty : 10,000 pcs./Reel
- Mates With: GJS-11051-XX Housing



东莞乔唯电子有限公司
DONGGUAN CHYAO WEI
ELECTRONIC CO., LTD

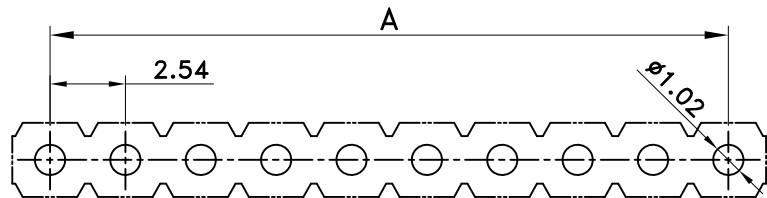
APPROVED BY	SCALE	UNIT	TOLERANCE	LTR	REVISION RECORD	NAME	DATE	LTR	REVISION RECORD	NAME	DATE
張育瑞	N/A	mm	.0 ±0.30	△				△			
CHECKED BY	PROJ	VER NO.	.00 ±0.20	△				△			
劉娜	⊕	α0	.000 ±0.10	△				△			
DRAWN BY	DATE	SIZE	ANGLE	△							
曾慶根	2022/02/17	A4	0° ±1°	△							
			.0° ±	△							
			SHEET 1/1	△							

PART NO GJS-11051-XXTPXX

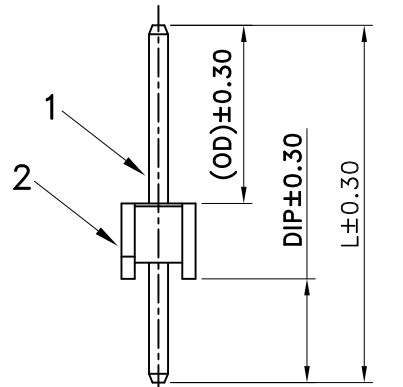
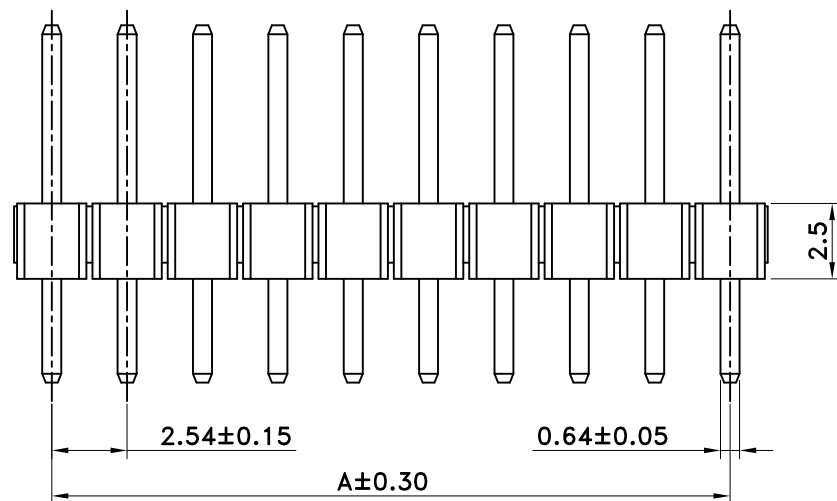
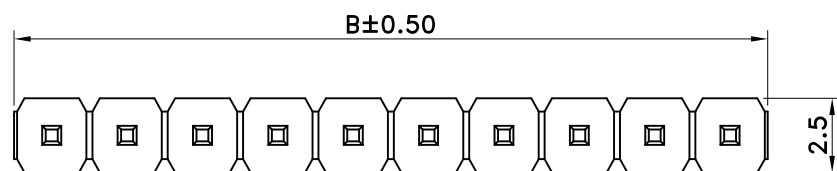
CUSTOMER

Conforms to The RoHS Instruction

2.54mm Center Mini Latch Terminal



Recommended PCB Layout
General Tolerance ± 0.05



尺寸請查看2/2頁

SPECIFICATIONS

- Current Rating : 3A AC/DC
- Voltage Rating : 125V AC/DC
- Withstanding Voltage : 1000V AC/minute
- Insulation Resistance : 1000M Ω min.
- Temperature Range : 1. PBT : -25 $^{\circ}$ C to +85 $^{\circ}$ C
2. NY 6T : -40 $^{\circ}$ C to +105 $^{\circ}$ C
- Contact Resistance : 20m Ω max.

PIN HEADER

- Part No. : GJS-11091-XX(XXXX DXX)
① ② ③

Product Code

- ① Poles No: 02~40
- ② Base :
Blank : PBT UL94V-0
6T : Nylon 6T UL94V-0
6TNH : Nylon6T UL94V-0;Non-Halogen
- ③ DX: 尺寸請查看2/2頁

- Material : 1. Contact : Brass, Gold Flash
2. Base : Refer the above options
- Packing: Bag

Poles	Dimensions(mm)		Poles	Dimensions(mm)	
	A	B		A	B
02	2.54	5.08	22	53.34	55.88
03	5.08	7.62	23	55.88	58.42
04	7.62	10.16	24	58.42	60.96
05	10.16	12.70	25	60.96	63.50
06	12.70	15.24	26	63.50	66.04
07	15.24	17.78	27	66.04	68.58
08	17.78	20.32	28	68.58	71.12
09	20.32	22.86	29	71.12	73.66
10	22.86	25.40	30	73.66	76.20
11	25.40	27.94	31	76.20	78.74
12	27.94	30.48	32	78.74	81.28
13	30.48	33.02	33	81.28	83.82
14	33.02	35.56	34	83.82	86.36
15	35.56	38.10	35	86.36	88.90
16	38.10	40.64	36	88.90	91.44
17	40.64	43.18	37	91.44	93.98
18	43.18	45.72	38	93.98	96.52
19	45.72	48.26	39	96.52	99.06
20	48.26	50.80	40	99.06	101.60
21	50.80	53.34			

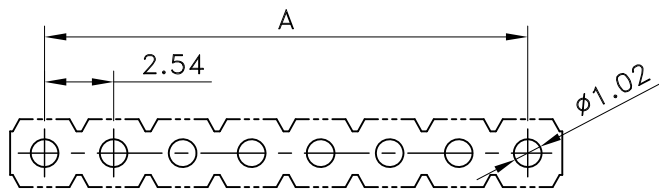


东莞乔唯电子有限公司
DONGGUAN CHYAO WEI
ELECTRONIC CO., LTD

APPROVED BY	SCALE	UNIT	TOLERANCE	LTR	REVISION RECORD	NAME	DATE	LTR	REVISION RECORD	NAME	DATE
張育瑞		mm	.0 ±0.30	△				△			
CHECKED BY	PROJ	VER NO.	.00 ±0.20	△				△			
劉娜	☉	a0	.000 ±0.10	△				△			
DRAWN BY	DATE	SIZE	ANGLE	△					CUSTOMER		
曾慶根	2019/09/20	A4	0° ±1°	△					Conforms to The RoHS Instruction		
			.0° ±	△							
			SHEET 1/2	△							

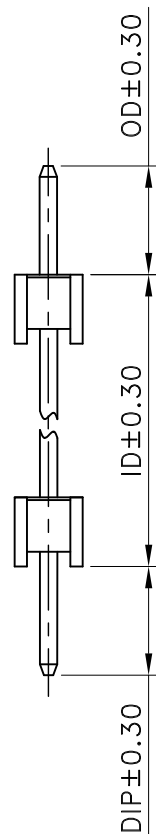
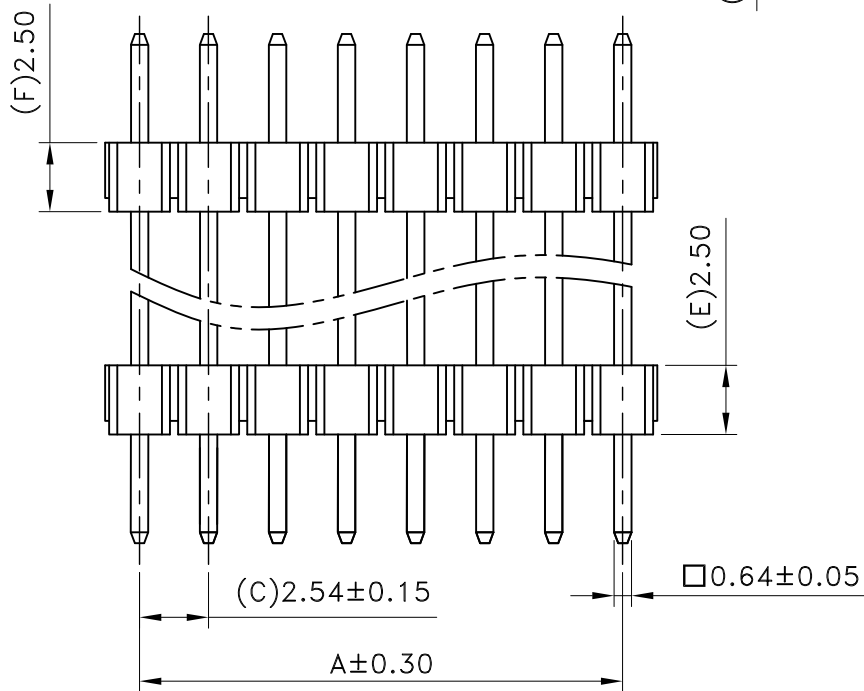
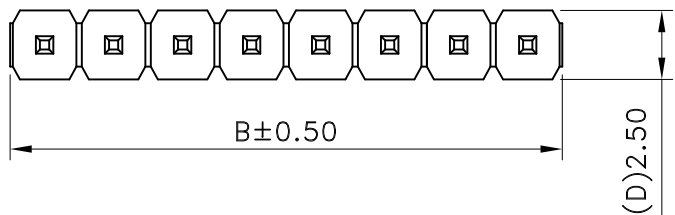
PART NO GJS-11091-XX(XXXXDX)

2.54mm Pin Header Single Row Straight Type



Recommended PCB Layout Dim.

General Tolerance ± 0.05



SPECIFICATIONS

- Current Rating : 3A AC/DC
- Voltage Rating : 125V AC/DC
- Withstanding Voltage : 1000V AC/minute
- Insulation Resistance : 1000M Ω min.
- Temperature Range : 1.PBT : -25 $^{\circ}$ C to +85 $^{\circ}$ C
2.Nylon 6T : -40 $^{\circ}$ C to +105 $^{\circ}$ C
- Contact Resistance : 20m Ω max.

PIN HEADER

• Part No. :GJS-1109DB1-XX(XXXX DX)

Product Code ① ② ③

① Poles No: 02~40

② Base: Blank : PBT UL94V-0

6T : Nylon 6T UL94V-0

6TNH : Nylon6T-66 UL94V-0;Non-Halogen

③ DX: DIP尺寸請查看2/2頁

- Material : 1. Contact : Brass, Gold Flash
2. Base : Refer the above options

• Package : Bag

Poles	Dimensions(mm)		Poles	Dimensions(mm)	
	A	B		A	B
02	2.54	5.08	22	53.34	55.88
03	5.08	7.62	23	55.88	58.42
04	7.62	10.16	24	58.42	60.96
05	10.16	12.70	25	60.96	63.50
06	12.70	15.24	26	63.50	66.04
07	15.24	17.78	27	66.04	68.58
08	17.78	20.32	28	68.58	71.12
09	20.32	22.86	29	71.12	73.66
10	22.86	25.40	30	73.66	76.20
11	25.40	27.94	31	76.20	78.74
12	27.94	30.48	32	78.74	81.28
13	30.48	33.02	33	81.28	83.82
14	33.02	35.56	34	83.82	86.36
15	35.56	38.10	35	86.36	88.90
16	38.10	40.64	36	88.90	91.44
17	40.64	43.18	37	91.44	93.98
18	43.18	45.72	38	93.98	96.52
19	45.72	48.26	39	96.52	99.06
20	48.26	50.80	40	99.06	101.60
21	50.80	53.34			



东莞乔唯电子有限公司
DONGGUAN CHYAO WEI
ELECTRONIC CO., LTD

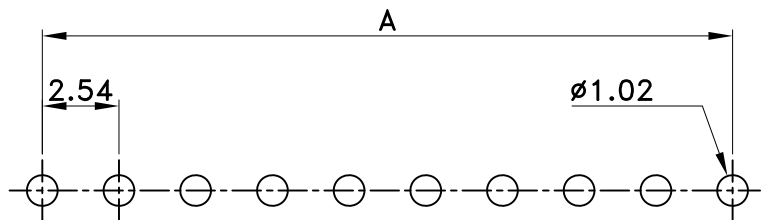
APPROVED BY	SCALE	UNIT	TOLERANCE	LTR	REVISION RECORD	NAME	DATE	LTR	REVISION RECORD	NAME	DATE
張育瑞		mm	.0 ±0.30	△				△			
CHECKED BY	PROJ	VER NO.	.00 ±0.20	△				△			
劉娜	⊕	a	.000 ±0.10	△				△			
DRAWN BY	DATE	SIZE	ANGLE	△							
曾慶根	2021/06/11	A4	0° ±1°	△							
			.0° ±	△							
			SHEET 1/2	△							

PART NO GJS-1109DB1-XX(XXXXDX)

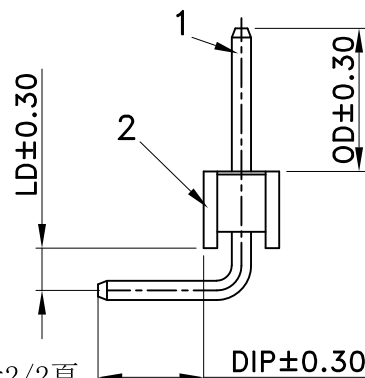
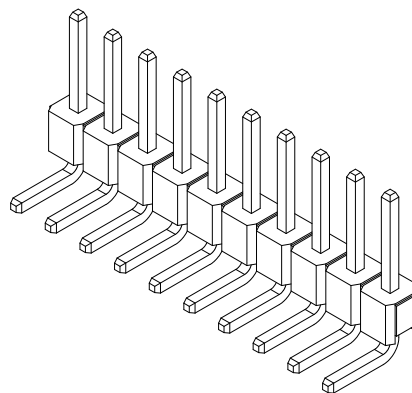
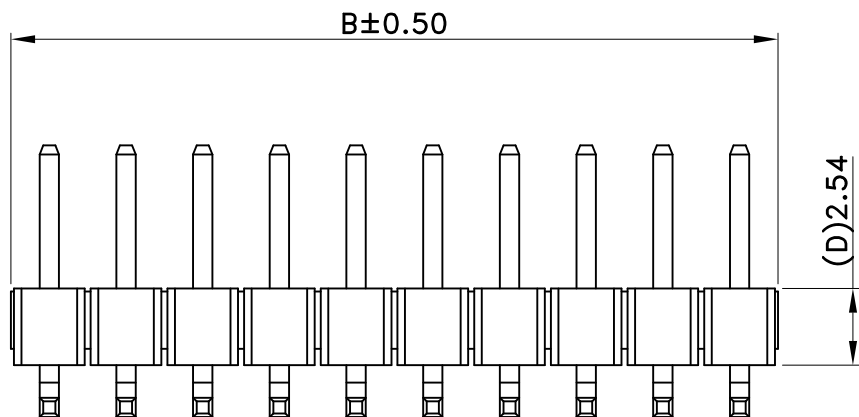
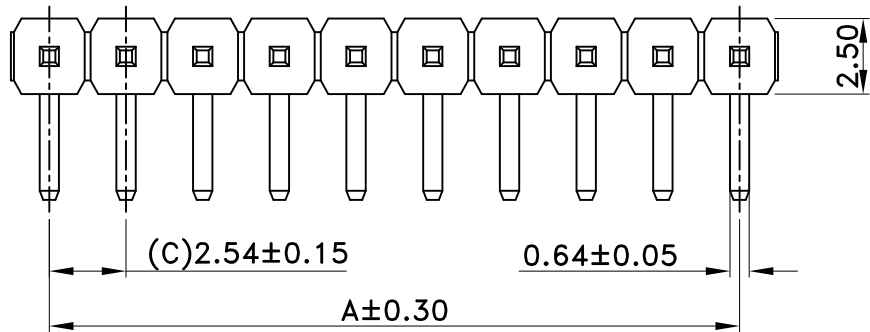
2.54mm Wire to Board Connector Pin Header Single-Row Straight Type

CUSTOMER

Conforms to The RoHS Instruction



Recommended PCB Layout
General Tolerance ± 0.05



尺寸請查看2/2頁

SPECIFICATIONS

- Current Rating : 3A AC/DC
- Voltage Rating : 125V AC/DC
- Withstanding Voltage : 1000V AC/minute
- Insulation Resistance : 1000M Ω min.
- Temperature Range : 1. PBT : -25 $^{\circ}$ C to +85 $^{\circ}$ C
 2. NY 6T : -40 $^{\circ}$ C to +105 $^{\circ}$ C
- Contact Resistance : 20m Ω max.

PIN HEADER

- Part No. : GJS-11101-XX(XXXX DXX)
 ① ② ③

Product Code

- ① Poles No: 02~40
- ② Base :
 Blank : PBT UL94V-0
 6T : Nylon 6T UL94V-0
 6TNH : Nylon6T UL94V-0;Non-Halogen
- ③ DX: 尺寸請查看2/2頁

- Material : 1. Contact : Brass, Gold Flash
 2. Base : Refer the above options
- Packing: Bag

Poles	Dimensions(mm)		Poles	Dimensions(mm)	
	A	B		A	B
02	2.54	5.08	22	53.34	55.88
03	5.08	7.62	23	55.88	58.42
04	7.62	10.16	24	58.42	60.96
05	10.16	12.70	25	60.96	63.50
06	12.70	15.24	26	63.50	66.04
07	15.24	17.78	27	66.04	68.58
08	17.78	20.32	28	68.58	71.12
09	20.32	22.86	29	71.12	73.66
10	22.86	25.40	30	73.66	76.20
11	25.40	27.94	31	76.20	78.74
12	27.94	30.48	32	78.74	81.28
13	30.48	33.02	33	81.28	83.82
14	33.02	35.56	34	83.82	86.36
15	35.56	38.10	35	86.36	88.90
16	38.10	40.64	36	88.90	91.44
17	40.64	43.18	37	91.44	93.98
18	43.18	45.72	38	93.98	96.52
19	45.72	48.26	39	96.52	99.06
20	48.26	50.80	40	99.06	101.60
21	50.80	53.34			



东莞乔唯电子有限公司
 DONGGUAN CHYAO WEI
 ELECTRONIC CO., LTD

APPROVED BY	SCALE	UNIT	TOLERANCE	LTR	REVISION RECORD	NAME	DATE	LTR	REVISION RECORD	NAME	DATE
張育瑞		mm	.0 ± 0.30	1				8			
CHECKED BY	PROJ	VER NO.	.00 ± 0.20	2				9			
曾慶根		a0	.000 ± 0.10	3				10			
DRAWN BY	DATE	SIZE	ANGLE	4				CUSTOMER			
曾慶根	2019/09/20	A4	0 $^{\circ}$ $\pm 1^{\circ}$	5							
			.0 $^{\circ}$ \pm	6							
			SHEET 1/2	7				Conforms to The RoHS Instruction			

PART NO: GJS-11101-XX(XXXXDX)
 2.54mm Pin Header Single Row Straight Type

